



Nothing else measures up!

Follow us!



Prospect House
George Cayley Drive
Clifton Moor
York
England
YO30 4XE

Tel: +44 (0) 1904 692723
Fax: +44 (0) 1904 690385

E-Mail: sales@yorksurvey.co.uk



Tribrach Adjusters



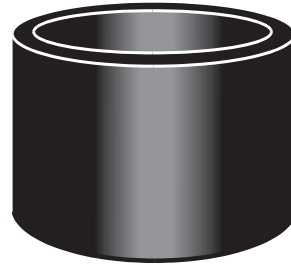
Operating Instructions



80-2001 Tribrach Adjusting Cylinder

For Optical Plummet Tribrachs

80-2001
Tribrach
Adjusting
Cylinder



EQUIPMENT NEEDED:
Tripod or instrument stand, 80-2001 adjuster tribrach & target.

1. Place tribrach on tripod, put adjuster in tribrach, place tribrach to be adjusted on top of adjuster so that it is upside-down looking at the target on the ceiling (see figure 1). The distance between tribrach & target must be 1.37 metres (4'6"), ± 15 cm (6").
2. Using levelling screws of bottom tribrach point the crosshair of the tribrach being tested to coincide with the target.
3. Rotate tribrach being tested 180 degrees on the adjuster. Crosshairs will stay on the target of an adjusted tribrach.
4. After 180 degrees turn if the crosshair does not stay on the target, half the error should be corrected with the adjusting screws provided by the manufacture of the tribrach. The remainder should be corrected with the levelling screws of the bottom tribrach.
5. Repeat steps 1, 2, 3, & 4 until the crosshair stays on target at all positions.

The tribrach will now be full adjusted.

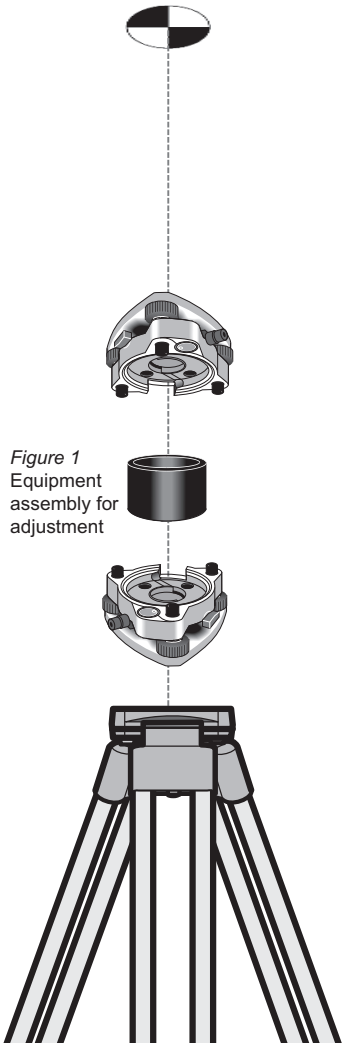


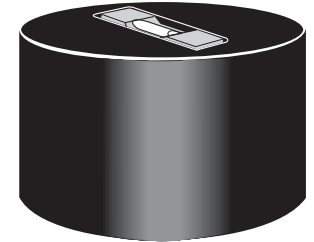
Figure 1
Equipment
assembly for
adjustment



80-2002 Tribrach Bubble Adjuster

For Tribrach Circular Vial Adjustment

80-2002
Tribrach
Bubble
Adjuster



EQUIPMENT NEEDED:
Tripod or instrument stand, 80-2002 adjuster and adjusting pins.

1. Place Tribrach on tripod and fasten to tripod.
2. Place Bubble Adjuster in tribrach and level tribrach using the vial on the Bubble Adjuster, ignore the circular vial on the tribrach.
3. To level Bubble Adjuster, point one end of Bubble Adjuster vial to any levelling screw and using that screw bring the vial to centre.
4. Turn Bubble Adjuster 90 degrees so that each end of the vial is close as possible to the other two levelling screws. Using these two levelling screws, centre the vial.
5. Turn vial 90 degrees back to the original levelling screw and re-level if necessary.
6. Repeat 3, 4, & 5 until vial remains central at both positions.
7. To test adjustment of Bubble Adjuster vial at any centred position, rotate Bubble Adjuster 180 degrees. Vial should stay centred within one graduation. If not, take half error back to centre with vial mounting screw that is on the high side.
8. If the circular vial on tribrach is not centred, use the adjusting screws and bring to centre.

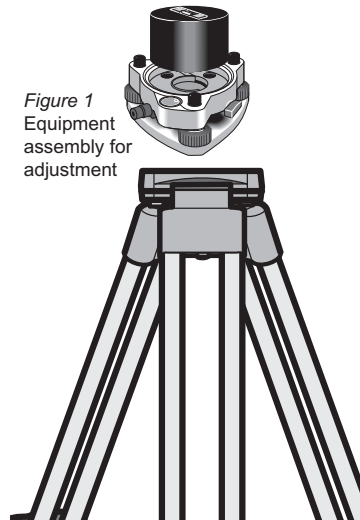


Figure 1
Equipment
assembly for
adjustment