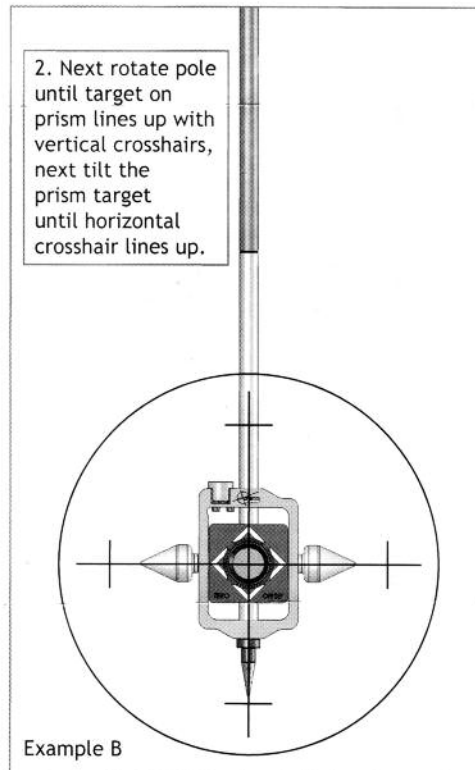
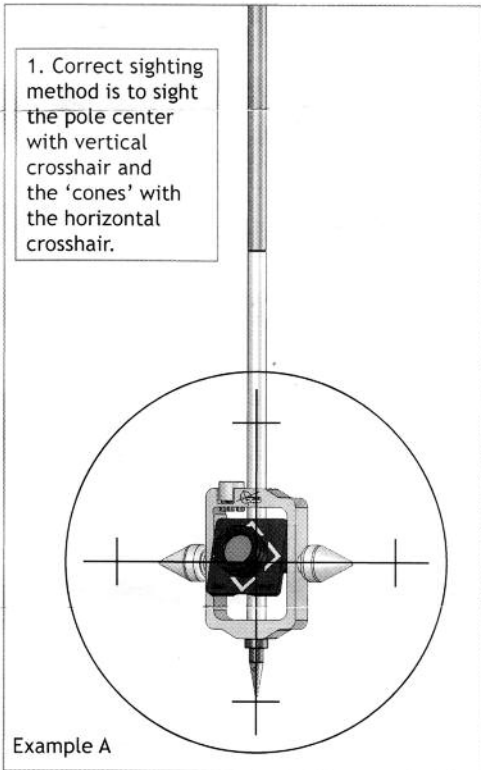


# Precise Pointing Method

Prism assembly target design is unique and can eliminate pointing errors that are normally associated with Zero offset prism configurations.

Dual targets and sighting method is the key



3. Prism is now perfectly aligned for angle and distance measurements.



Follow us!

York Survey Supply Centre  
@York\_Survey  
@York\_Survey

Prospect House, George Cayley Drive, Clifton Moor, York, England YO30 4XE

Tel: +44 (0) 1904 692723 Fax: +44 (0) 1904 690385  
E-Mail: sales@yorksurvey.co.uk www.yorksurvey.co.uk

Ref: ..\operat98\instructions 20\80-5910-06.qxp 07-01-20

# YORK Survey Supply

## Sliding Prism "0" Offset System



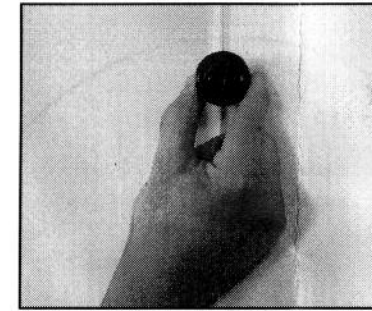
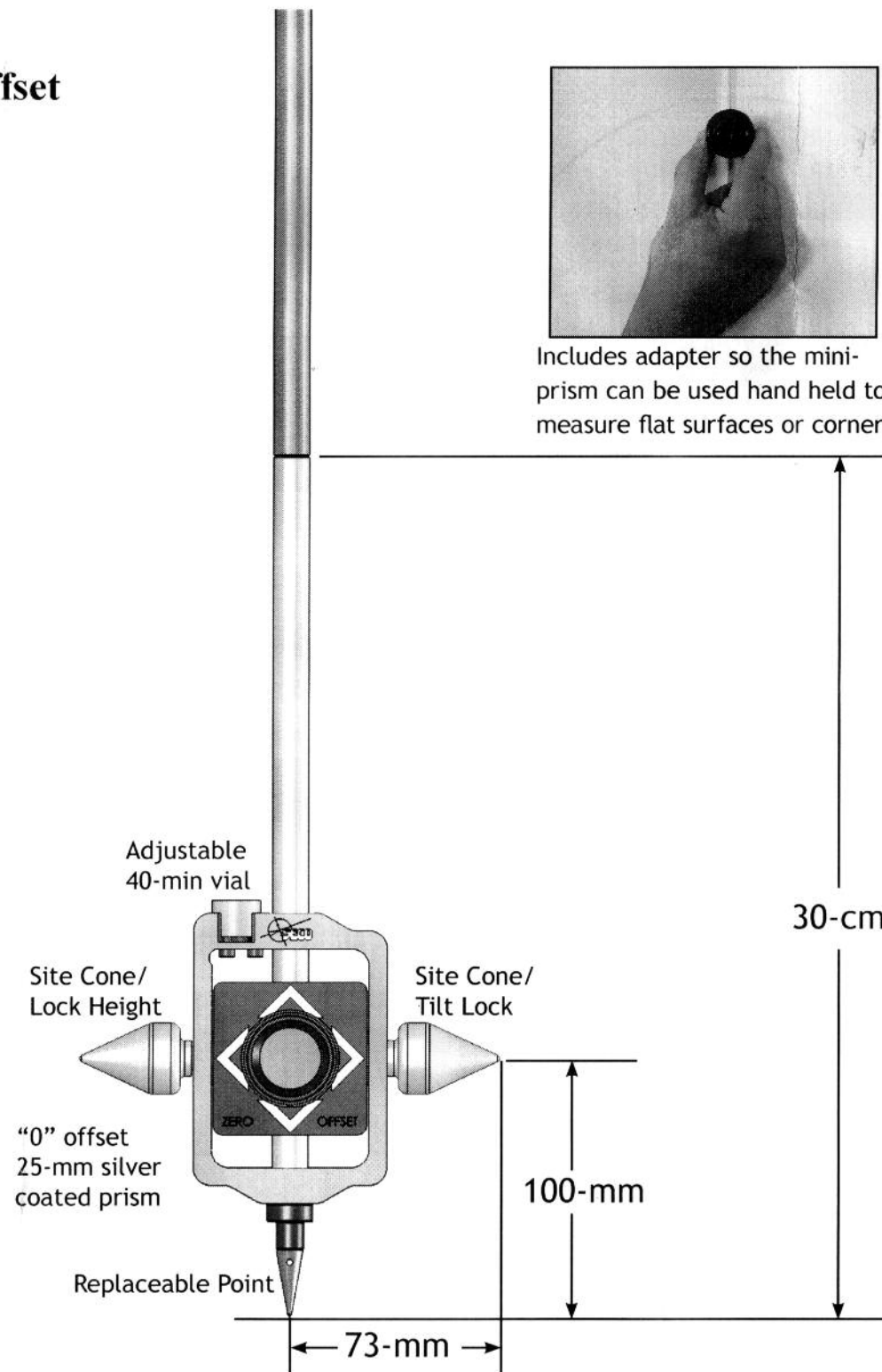
## Operating Instructions

©York Survey Supply Centre 2020

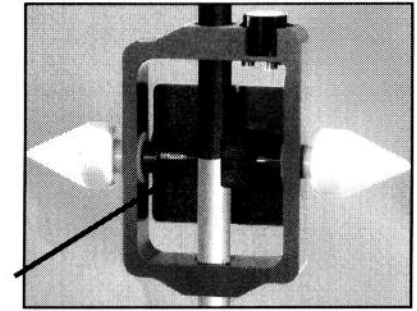
# #5910-06 Sliding Prism, "0" Offset

## Prism system includes:

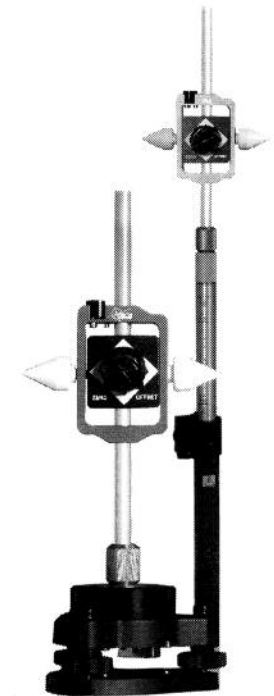
- 1x Sliding prism assembly
  - 1x Bottom section with point
  - 3x Sections, 30-cm long
  - 1x Adapter 1/4 x 20 to 5/8 x 11
  - 1x Extra point
  - 1x Allen wrench to adjust vial
  - 1x Prism cone adapter
  - 1x System bag
- This sliding prism is ideal for construction layout or any survey job needing a small portable prism/pole system. User can slide and quickly lock the prism at any height on the pole. This target system used properly can eliminate pointing errors associated with zero offset prism systems.
  - Pole Sections are 30-cm long.
  - Prism assembly with bottom pole section can be used on other male 5/8 x 11 accessories like prism or tribrach adaptors. Simply slide the prism up or down until it reads correct for the pole reading.



Includes adapter so the mini-prism can be used hand held to measure flat surfaces or corners



A height pointer built into the holder



This prism includes an adapter so prism can be used on any pole or tribrach adapter with 5/8 x 11 threads

DOC5910-06 REV A